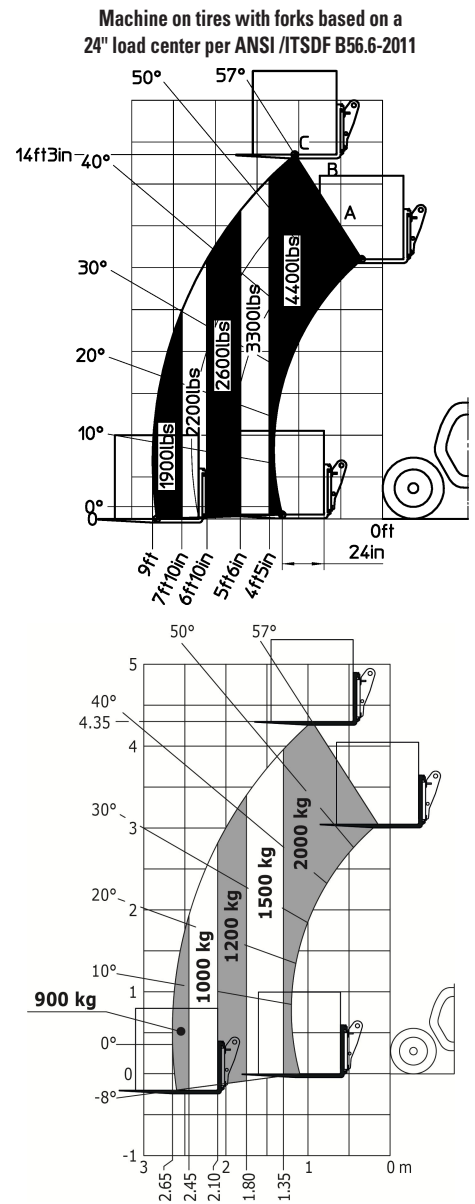
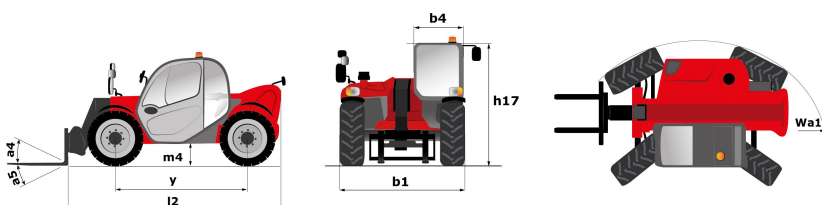

Technical sheet

MLT 420 60 H

Telescopic Loader



Capacities	Imperial (Metric)
Max. capacity	4,400 lbs. (2000 kg)
Max. lifting height	14 ft 3 in (4.35 m)
Max. outreach	8 ft 8 in (2.65 m)
Reach at max. height	3 ft 3 in (1 m)
Breakout force with bucket	4,239 ft-lbs. (1886 daN)
Weight and dimensions	
Unladen weight (with forks)	9,237 lbs. (4190 kg)
m4 - Ground clearance	9 in (0.24 m)
l2 - Overall length to carriage (with hitch)	11 ft 11 in (3.64 m)
y - Wheelbase	7 ft. (2.13 m)
b4 - Overall width of cab	2 ft 7 in (0.85 m)
b1 - Overall width	4 ft 11 in (1.49 m)
h17 - Overall height	6 ft 6 in (1.97 m)
a4 - Crowd angle	12 °
a5 - Dump angle	116 °
Wa1 - External turning radius (over tires)	10 ft (3.06 m)
Standard tires	12-16.5 12PR
Performances	
Lifting	5 s
Lowering	3.50 s
Extension	4.80 s
Retraction	3 s
Crowd	3.30 s
Dump	2.70 s
Engine	
Brand / Type	Kubota V2607-CR-E5B Stage 5
Number of cylinders - Cubic capacity	4 - 159.58 in ³ (2615 cm ³)
Power	57 hp (42 kW)
Max. torque	128 ft-lbs. (174 Nm) at 1600 rpm
Laden drawbar pull	6,407 ft-lbs. (2850 daN)
Reversible fan	Standard
Cooling system	2 radiators (water + hydraulic oil)
Transmission	
Type	Hydrostatic
Number of gears (forward/reverse)	2
Max. travel speed	15.5 mph (25 km/h)
Differential lock	Limited slip differential on front axle
Parking brake	Automatic negative parking brake
Hydraulics	
Hydraulic pump type	Gear pump
Hydraulic flow	20.34 gpm (77 l/min)
Hydraulic pressure	3,408 psi (235 bar)
Tank capacities	
Hydraulic oil	15.4 gal (70 l)
Fuel	13.2 gal (60 l)



STANDARD EQUIPMENT

- Air Suspension Seat
- Auto-Cleaning Reversible Fan
- Auxiliary Hydraulics Flow Control
- Boom Tip Auxiliary Hydraulics
- Cab Wipers Front, Roof and Rear
- Limited Continuous Auxiliary Hydraulic Flow
- Easy Connect System (ECS)
- Easy Link Module
- Enclosed Cab with Heat, Defrost, and A/C
- Engine Block Heater
- Hand Throttle
- Hydraulic Attachment Locking
- JSM Joystick Control
- LED Work Lights - Front, Rear and Boom
- Roof and Windshield Sunshade
- Speed Limit Control
- Tilt & Telescope Steering Column
- USB Bluetooth radio w/ integrated microphone

AVAILABLE OPTIONS

- Cold Weather - T32 Hydraulic Oil
- Dual Hydraulic Auxiliary Lines
- Return to Tank Hydraulic Line
- Windsheild Guard

MANITOU
HANDLING YOUR WORLD

Manitou North America, LLC.

PO Box 179 • West Bend, WI 53095 • 262-334-9461 • www.manitou.com