

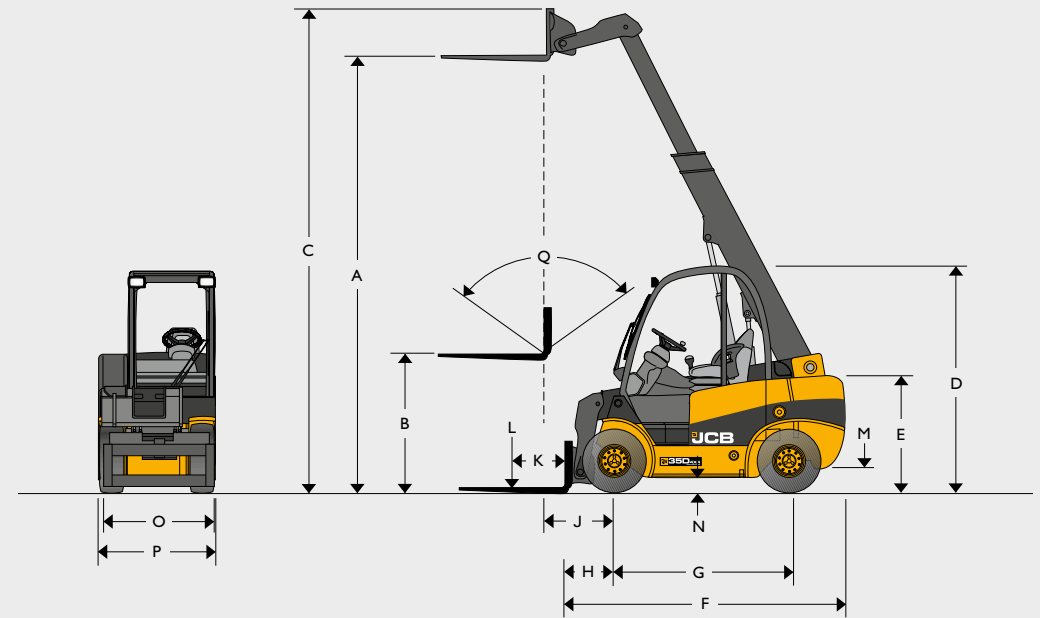
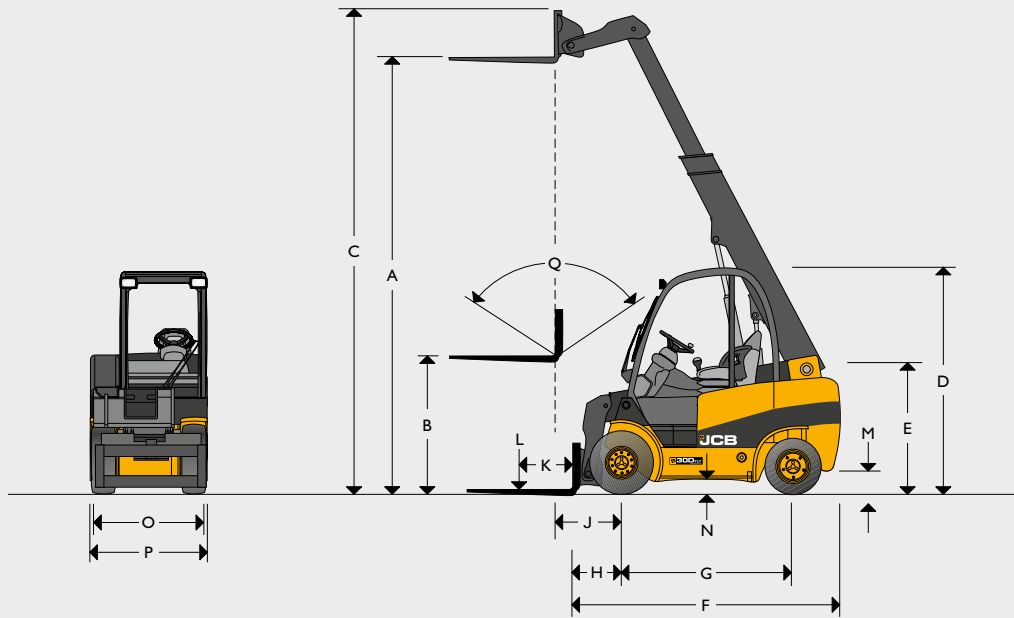
STATIC DIMENSIONS

TLT25 / TLT25HL / TLT30 / TLT30HL / TLT35

ENGINE FUEL TYPE: DIESEL OR LPG LIFT CAPACITY: UP TO 3.5 TONNES

TLT30D 4X4 / TLT35D 4X4

ENGINE FUEL TYPE: DIESEL LIFT CAPACITY: UP TO 3.5 TONNES



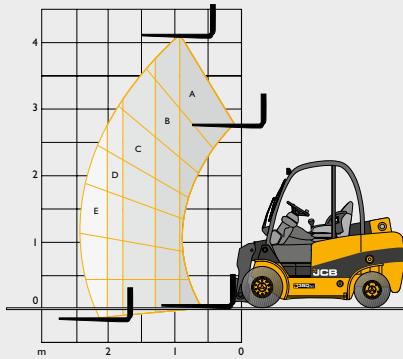
STATIC DIMENSIONS

| Model | | TLT25/25HL | TLT30 | TLT30DHL | TLT30D 4X4 | TLT35D | TLT35D 4X4 |
|-------|--|------------|-----------|-----------|------------|-----------|------------|
| A | Lift height | mm | 4000 | 4000 | 5150 | 4000 | 4350 |
| B | Free lift (standard) | mm | 1424 | 1410 | 1410 | 1350 | 1350 |
| C | Height (boom extended) | mm | 4580 | 4625 | 5700 | 4805 | 5150 |
| D | Height of overhead guard (standard/low) | mm | 2190/2090 | 2205/2105 | 2205/2105 | 2300/2200 | 2205/2105 |
| E | Height of operators seat (high/low) | mm | 1086/1066 | 1091/1071 | 1200/1180 | 1241/1221 | 1200/1180 |
| F | Length to fork face | mm | 2625 | 2750 | 3370 | 2840 | 3000 |
| G | Wheelbase | mm | 1700 | 1700 | 1950 | 1780 | 1950 |
| H | Distance from c/l of front axle to fork face | mm | 500 | 515 | 790 | 515 | 595 |
| J | Distance from c/l of front axle to fork face (full height) | mm | 700 | 715 | 540 | 715 | 795 |
| K | Load centre | mm | 500 | 500 | 500 | 500 | 500 |
| L | Lift capacities (with sideshift) | kg | 2500 | 3000 | 3000 | 3000 | 3500 |
| M | Ground clearance (lowest point) | mm | 115 | 130 | 125 | 165 | 125 |
| N | Ground clearance (wheelbase centre) | mm | 140 | 155 | 155 | 192 | 155 |
| O | Fork carriage width | mm | 1100 | 1200 | 1200 | 1200 | 1200 |
| P | Maximum width of machine | mm | 1175 | 1280 | 1280 | 1400 | 1280 |
| Q | Carriage tilt total* F/B variable through lift arc | degrees | 111* | 111* | 111* | 111* | 111* |

GENERAL SPECIFICATION

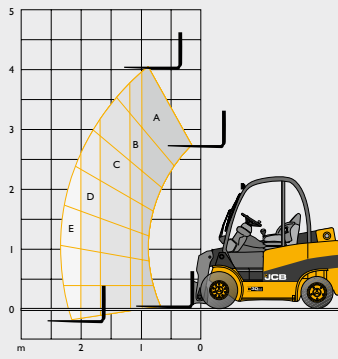
| Model | | TLT25/25HL | TLT30 | TLT30DHL | TLT30D 4X4 | TLT35D | TLT35D 4X4 |
|---|-----------------|-----------------------------|---------------------------|---------------------------|---------------------------|---------------------------|---------------------------|
| Engine manufacturer | | D-Perkins/G-G.M. | D-Perkins/G-G.M. | JCB Diesel by Kohler | D-Perkins/G-G.M. | JCB Diesel by Kohler | JCB Diesel by Kohler |
| Tier compliant | | Tier 3 Stage III | Tier 3 Stage III | Tier 4 Stage IIIB | Tier 3 Stage III | Tier 4 Stage IIIB | Tier 4 Stage IIIB |
| Engine model | | D-404 2.2/G-3.0 L4 | D-404 2.2/G-3.0 L4 | KDI2504TCR | 404 2.2 | KDI2504TCR | KDI2504TCR |
| Engine output (gross power) | kW | D-37/G-43 | D-37/G-43 | 46 | 37 | 46 | 46 |
| Cubic capacity | cm ³ | D-2200/G-2966 | D-2200/G-2966 | 2504 | 2200 | 2504 | 2504 |
| Rated | rpm | D-2600/G-2600 | D-2600/G-2600 | 2600 | 2600 | 2600 | 2600 |
| Number of cylinders | | D-4/G-4 | D-4/G-4 | 4 | 4 | 4 | 4 |
| Working pressure for attachments | bar | 170 | 170 | 170 | 170 | 170 | 170 |
| Oil flow for attachments | l/min | 28 Std flow/70 Extra flow | 28 Std flow/70 Extra flow | 28 Std flow/70 Extra flow | 28 Std flow/70 Extra flow | 28 Std flow/70 Extra flow | 28 Std flow/70 Extra flow |
| Maximum reach ground level (500mm load centre) | mm | 2230 | 2230 | 3300 | 2230 | 2280 | 2400 |
| Maximum reach boom horizontal (500mm load centre) | mm | 2390 | 2390 | 3320 | 2390 | 2430 | 2450 |
| Turning radius | mm | 2440 | 2490 | 2885 | 2995 | 2885 | 3500 |
| Aisle width 90° stacking 800 x 1200/1000 x 1200 | mm | 3940/4140 | 4005/4205 | 4475/4675 | 4510/4710 | 4480/4680 | 5060/5260 |
| Weight unladen | kg | D-4220/G-4280 D-4340/G-4400 | D-4900/G-4960 | 5380 | 5100 | 5100 | 5500 |
| Travel speed (standard) | km/h | 20 | 20 | 20 | 20 | 20 | 20 |
| Gradeability (laden/unladen) | % | 25/21 | 25/21 | 25/21 | 30/28 | 25/21 | 25/23 |
| Transmission | | TCR | TCR | TCR | TCR | TCR | TCR |
| Park brake type | | Hand | Hand | Hand | Hand | Hand | Hand |
| Shovel rated capacity | m ³ | 0.6 | 0.6 | 0.6 | 0.6 | 0.6 | 0.6 |
| Shovel struck capacity | m ³ | 0.5 | 0.5 | 0.5 | 0.5 | 0.5 | 0.5 |
| Shovel dump height (30°) | mm | 2400 | 2400 | 2680 | 2550 | 2680 | 2680 |
| Shovel rollback angle at ground | degrees | 37 | 37 | 33 | 37 | 33 | 33 |
| Shovel width | mm | 1385 | 1385 | 1385 | 1385 | 1385 | 1385 |
| Tyres PPS (semi solid), L (pneumatic) | | PPS/L | PPS/L | PPS/L | L | PPS/L | L |
| Tyre size front (standard) | | 7.00 x 12 | 27 x 10 x 12 | 27 x 10 x 12 | 27 x 10 x 12 | 27 x 10 x 12 | 27 x 10 x 12 |
| Tyre size rear (standard) | | 6.00 x 9 | 6.50 x 10 | 2 x 9 x 10 | 27 x 10 x 12 | 23 x 9 x 10 | 27 x 10 x 12 |
| Diesel tank capacity | ltrs | 44 | 44 | 55 | 44 | 55 | 55 |

LIFT CAPACITIES – TLT25/TLT25HL



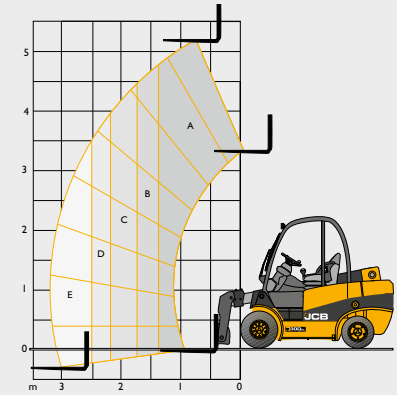
| Capacity bands | TLT25 | TLT25SHL |
|----------------|---------|----------|
| A | 2500 kg | 2500 kg |
| B | 2000 kg | 2000 kg |
| C | 1500 kg | 1500 kg |
| D | 1275 kg | 1275 kg |
| E | 1000 kg | 1075 kg |
| @ 2 metres | 1275 kg | 1400 kg |

LIFT CAPACITIES – TLT30



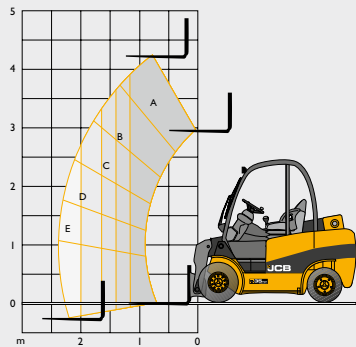
| Capacity bands | TLT30 |
|----------------|---------|
| A | 3000 kg |
| B | 2500 kg |
| C | 2000 kg |
| D | 1750 kg |
| E | 1500 kg |
| @ 2 metres | 1750 kg |

LIFT CAPACITIES – TLT30HL



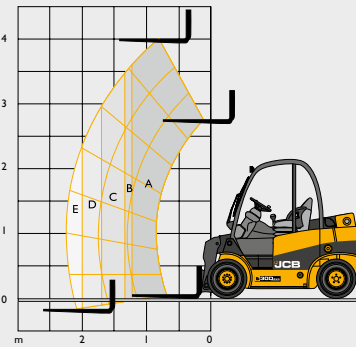
| Capacity bands | TLT30HL |
|----------------|---------|
| A | 3000 kg |
| B | 2500 kg |
| C | 2000 kg |
| D | 1750 kg |
| E | 1250 kg |
| @ 2 metres | 2000 kg |

LIFT CAPACITIES – TLT35D



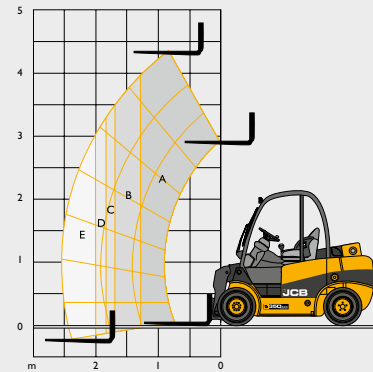
| Capacity bands | TLT35 |
|----------------|---------|
| A | 3500 kg |
| B | 3000 kg |
| C | 2500 kg |
| D | 2100 kg |
| E | 1700 kg |
| @ 2 metres | 2100 kg |

LIFT CAPACITIES – TLT30D 4x4



| Capacity bands | TLT30D 4x4 |
|----------------|------------|
| A | 3000 kg |
| B | 2750 kg |
| C | 2500 kg |
| D | 2000 kg |
| E | 1500 kg |
| @ 2 metres | 2000 kg |

LIFT CAPACITIES – TLT35D 4x4



| Capacity bands | TLT35D 4x4 |
|----------------|------------|
| A | 3500 kg |
| B | 3000 kg |
| C | 2750 kg |
| D | 2400 kg |
| E | 2000 kg |
| @ 2 metres | 2400 kg |