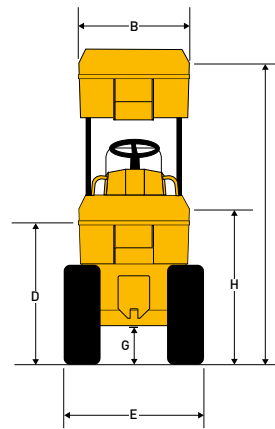
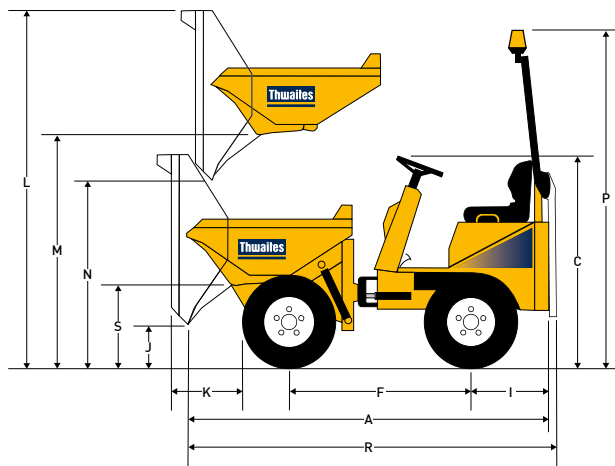


# 1 Tonne Hi Tip

## DIMENSIONS & SPECIFICATIONS - MACH2001



(mm)

<b>A</b>	3032	<b>N</b>	1573
<b>B</b>	982	<b>P</b>	2860
<b>C</b>	1773	<b>R</b>	3192
<b>D</b>	1155	<b>S</b>	720
<b>E</b>	1115*		
<b>F</b>	1500		
<b>G</b>	274		
<b>H</b>	1262		
<b>I</b>	654		
<b>J</b>	346		
<b>K</b>	505		
<b>L</b>	3005		
<b>M</b>	1913		

\*982 with optional narrow wheels

<b>Weight</b>	Unladen	1295 kg
	Shipping	1206 kg

<b>Capacities</b>	Max safe load	1000 kg
	Heaped	500 litres
	Struck	400 litres
	Water	280 litres

### Engine

- › Yanmar 3TNV76, 3-cylinder, water-cooled diesel
- › Power 15.9 kW/21.4 bhp at 2800 rpm
- › Torque 66.4 Nm (49 lbf ft)

### Noise Levels

- › Operator's ear 84 LpA / airborne level 101 LwA

### Transmission

- › Hydrostatic with variable displacement pump feeding four wheel motors, incorporating "Twin-Lock" system to maximise traction

<b>Speeds</b>	Forward and Reverse	
	0 - 12 km/h (0 - 7.5 mph)	

### Brakes and Axles

- › Automatic failsafe braking system incorporated into rear drive motors

### Chassis

- › Front and rear chassis constructed from folded steel plate, with centre-point articulation and oscillation for optimum stability and traction

### Skip

- › Hydraulically operated, 3 mm base, 4 mm sides steel plate.
- › Skip mouth reinforced with box sections
- › Hi-Tip scissor lift mechanism

### Seating & Controls

- › Adjustable suspension seat with high-vis seat belt
- › LED warning lights for all critical functions

### Service Access

- › Lockable engine cover provides easy access from ground level to engine service points.

### Electrics

- › Wiring harness contained within conduits
- › All electrical components water resistant to IP67 rating

### Steering and Hydraulics

- › Hydraulic power steering
- › Return line filtration for all services
- › Hydraulic test point fitted as standard

<b>Tank Capacities</b>	Fuel	21 litres
	Hydraulic	20 litres

<b>Turning Circle</b>	5.45m
-----------------------	-------

### Standard Equipment

- › LED Beacons
- › Reverse alarm

### Optional Equipment

- › Road mirrors
- › Wheel nut indicator
- › Road lights
- › Towing bracket
- › Sand tyres and narrow tyres

# Thwaites

Thwaites Ltd, Leamington Spa,  
Warwickshire, CV32 7NQ, England  
Tel +44 (0)1926 422471

[www.thwaitesdumpers.co.uk](http://www.thwaitesdumpers.co.uk)



Images are representative, but specific details or equipment may vary by country. We reserve the right to change any and all specifications without prior notice. 11/2021